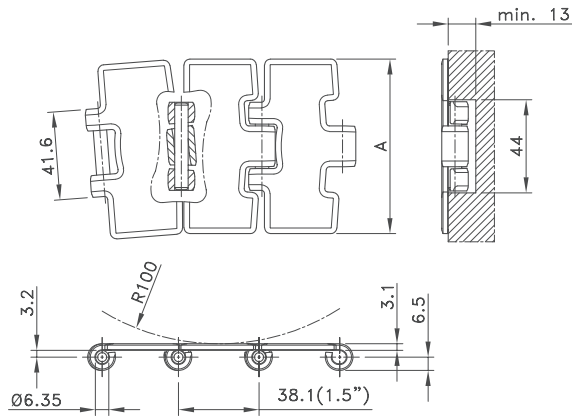
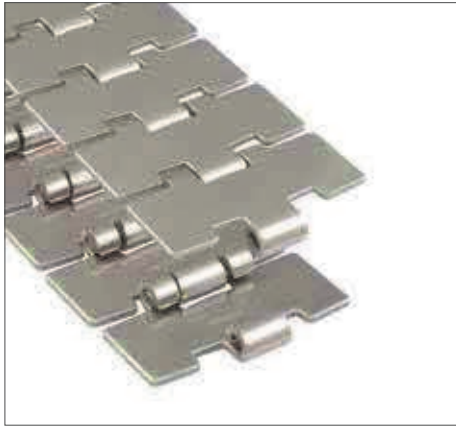


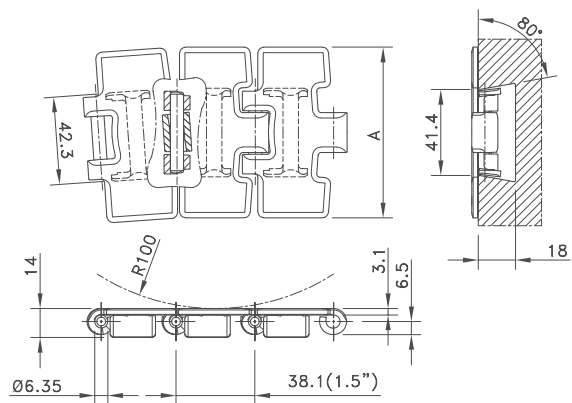
# Magnetflex® Single Hinge Max-Line



Chain Type	Code Number	Plate Width A		Weight kg/m	Surface Flatness (max.) mm	Polished Hinge Eyes	Working Load (max.) N
		mm	inch				
<b>10-Series</b>							
10 M 31 M	767.13.31	82.5	3.25	2.50	0.18	yes	4950
10 M 42 M	767.13.42	114.3	4.50	3.12	0.25	yes	
10 M 72 M	767.13.72	190.5	7.50	4.59	0.60	yes	
<b>60-Series</b>							
60 M 31 M	767.53.31	82.5	3.25	2.50	0.18	yes	6000
60 M 31 XM	767.69.31	82.5	3.25	2.50	0.08	yes	
60 M 84 XM	767.69.84	84.0	3.30	2.52	0.08	yes	
60 M 42 M	767.53.42	114.3	4.50	3.12	0.25	yes	
60 M 72 M	767.53.72	190.5	7.50	4.59	0.60	yes	
<b>60-Series HB</b>							
60 M 31 XM HB	767.69.15	82.5	3.25	2.61	0.08	yes	6000
60 M 84 XM HB	767.69.14	84.0	3.30	2.63	0.08	yes	
<b>66-Series XHB</b>							
66 M 31 XM XHB	767.09.31	82.5	3.25	2.50	0.08	yes	6000
66 M 84 XM XHB	767.09.84	84.0	3.30	2.52	0.08	yes	
66 M 72 M XHB	767.03.72	190.5	7.50	4.59	0.60	yes	

Standard length: 3.048 m - 10 feet (80 links). Sideflex radius min. 500 mm.

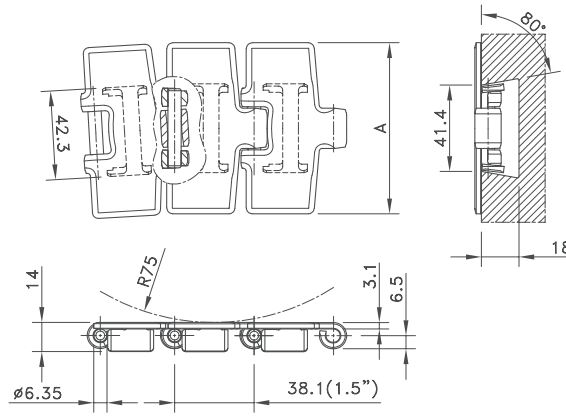
# Sideflex Single Hinge Bevel Max-Line



Chain Type	Code Number	Plate Width A		Weight kg/m	Surface Flatness (max.) mm	Polished Hinge Eyes	Working Load (max.) N
		mm	inch				
<b>Opti-Plus</b>							
SSC 8811-K325	10.115.21.11	82.5	3.25	2.90	0.18	no	6000
SSC 8811-K350	10.115.21.12	88.9	3.50	3.10	0.18	no	
SSC 8811-K450	10.115.21.14	114.3	4.50	3.60	0.25	no	
SSC 8811-K750	10.115.21.16	190.5	7.50	5.30	0.60	no	

Standard length: 3.048 m - 10 feet (80 links). Sideflex radius min. 500 mm.

## Sideflex Single Hinge Bevel

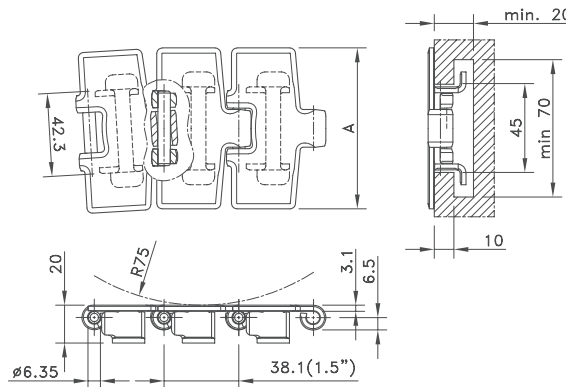


Chain Type	Code Number	Plate Width A		Weight kg/m	Surface Flatness (max.) mm	Polished Hinge Eyes	Working Load (max.) N
		mm	inch				
<b>Austenitic Chrome Nickel</b>							
SS 881-K325	765.32.31	82.5	3.25	2.97	0.18	no	3500
SS 881-K450	765.32.42	114.3	4.50	3.71	0.25	no	
SS 881-K750	765.32.72	190.5	7.50	5.49	0.60	no	
<b>Carbon Steel</b>							
S 881-K325	765.92.31	82.5	3.25	2.97	0.40	no	8350
S 881-K450	765.92.42	114.3	4.50	3.71	0.60	no	
S 881-K750	765.92.72	190.5	7.50	5.49	0.90	no	

Standard length: 3.048 m - 10 feet (80 links).

Sideflex radius min. 500 mm (for K325) and min. 610 mm (for K450 and K750).

## Sideflex Single Hinge Tab



Chain Type	Code Number	Plate Width A		Weight kg/m	Surface Flatness (max.) mm	Polished Hinge Eyes	Working Load (max.) N
		mm	inch				
<b>Austenitic Chrome Nickel</b>							
SS 881 TAB-K325	765.31.31	82.5	3.25	2.97	0.18	no	3500
SS 881 TAB-K450	765.31.42	114.3	4.50	3.71	0.25	no	
SS 881 TAB-K750	765.31.72	190.5	7.50	5.49	0.60	no	
<b>Carbon Steel</b>							
S 881 TAB-K325	765.91.31	82.5	3.25	2.97	0.40	no	8350
S 881 TAB-K450	765.91.42	114.3	4.50	3.71	0.60	no	
S 881 TAB-K750	765.91.72	190.5	7.50	5.49	0.90	no	

Standard length: 3.048 m - 10 feet (80 links).

Sideflex radius min. 500 mm (for K325 and K450) and min. 610 mm (for K750).